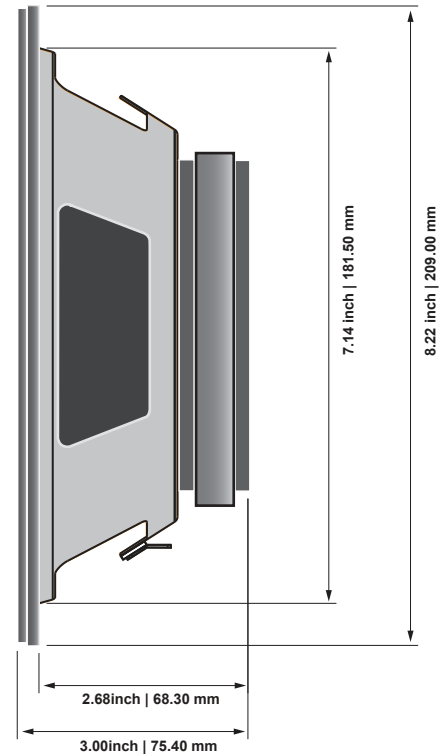
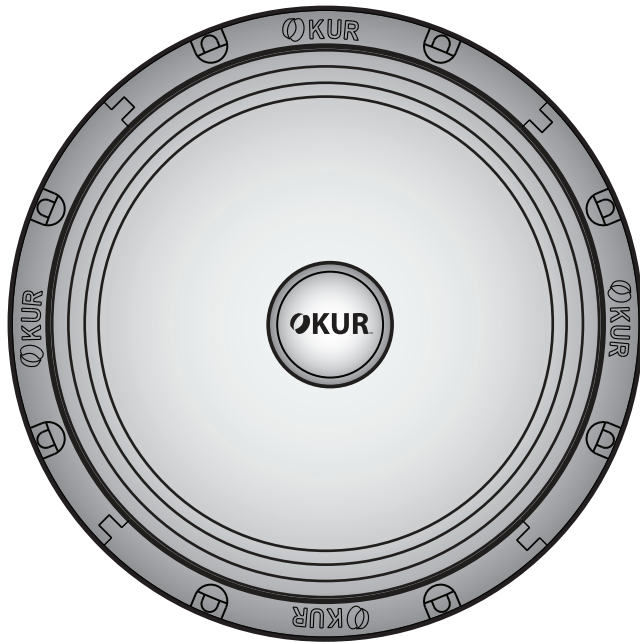


# OKUR™

## OMR 8

8" MID-RANGE SPEAKER



### □ FEATURES AND SPECS

Size:	8"
Impedance:	8Ω
Nominal Power:	75 Watts
Dynamic Power:	350 Watts
Resonance:	96.2 Hz
Sensitivity:	96.5 dB
Voice Coil Diameter:	1.5"
Sold As:	Single

### □ DRIVER COMPOSITION

Voice Coil Wire:	CCA W
Magnet:	Ferrite
Basket:	Stamped Steel
Cone:	Paper
Cone Edge:	Cloth

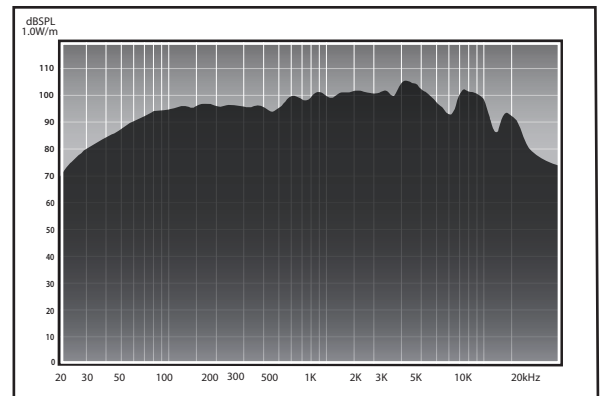
### T/S PARAMETERS

□ Resonant Frequency (fs)	96.2Hz
DC Resistance (RE)	5.8Ω
Coil Inductance (LE)	0.00mH
Mechanical Q (Qms)	6.74
Electromagnetic Q (QES)	1.84
Total Q (QTS)	1.45
Compliance Equivalent volume (VAS)	13.9
Mechanical Compliance of Suspension (CMS)	0.20
BL Product (BL)	5.1 N/A
Diaphragm Mass Inc. Airload (Mms)	13.6gr

### MOUNTING INFORMATION

□ Overall Diameter:	8.22" / 209mm
Cutout diameter:	7.14" / 181.50mm
Mounting Depth:	2.68" / 68.30mm

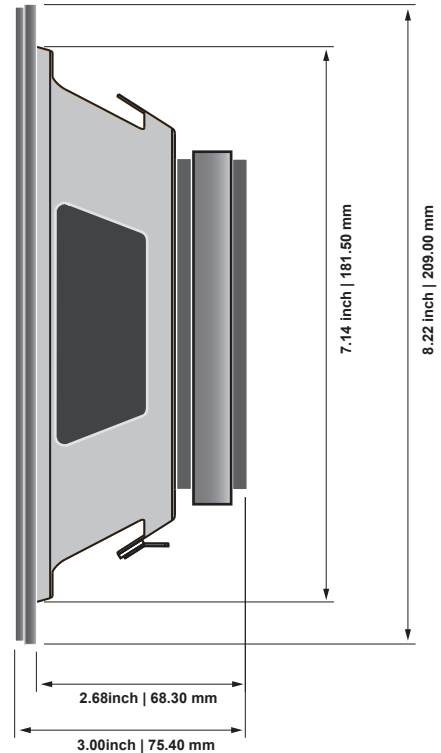
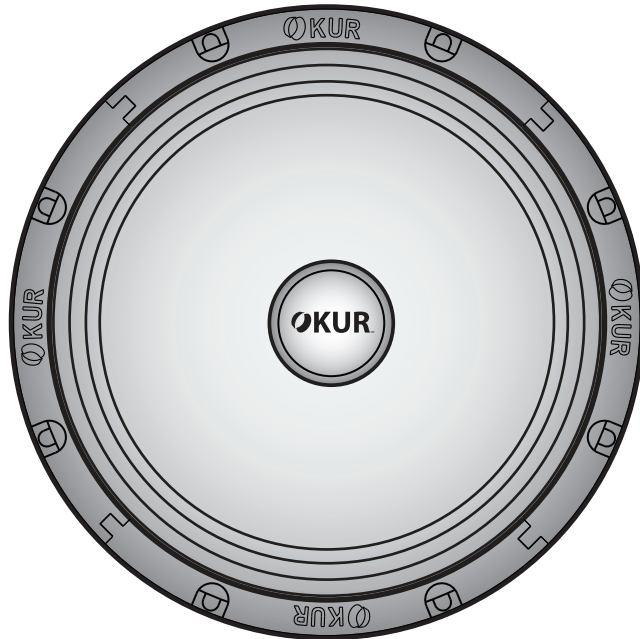
OMR8 Frequency Response



# OKUR™

## OMR 8

8" MID-RANGE SPEAKER



### □ CARACTERÍSTICAS & ESPECIFICACIONES

Tamaño:	8"
Impedancia:	8 $\Omega$
Poder Nominal:	75 Watts
Poder Dinámico:	350 Watts
Resonancia:	96.2 Hz
Sensibilidad:	96.5 dB
Diametro de la Bobina:	1.5"
Se Vende en Individual	

### □ COMPOSICION DEL DRIVER

Cable de la Bobina:	CCAW
Magneto:	Ferrite
Canasta:	Stamped Steel
Cono:	Paper
Orilla del Cono:	Cloth

### □ PARAMETROS T/S

Frecuencia Resonante(fs)	96.2Hz
Resistencia CC (RE)	5.8 $\Omega$
Inductancia de la Bobina (LE)	0.00mH
Q Mecanico (Qms)	6.74
Q Electromagnetico(QES)	1.84
Total Q (QTS)	1.45
Volumen Equivalente de Cumplimiento (VAS)	13.9
Cumplimiento Mecanico de Suspencion(CMS)	0.20
Producto BL (BL)	5.1 N/A
Masa del Diagrama Incluyendo Carga de Aire (Mms)	13.6gr

### □ INFORMACION DE MONTAJE

Diametro Exterior:	8.22" / 209mm
Diametro de Corte:	7.14" / 181.50mm
Profundidad de Montaje:	2.68" / 68.30mm

OMR8 Frequency Response

