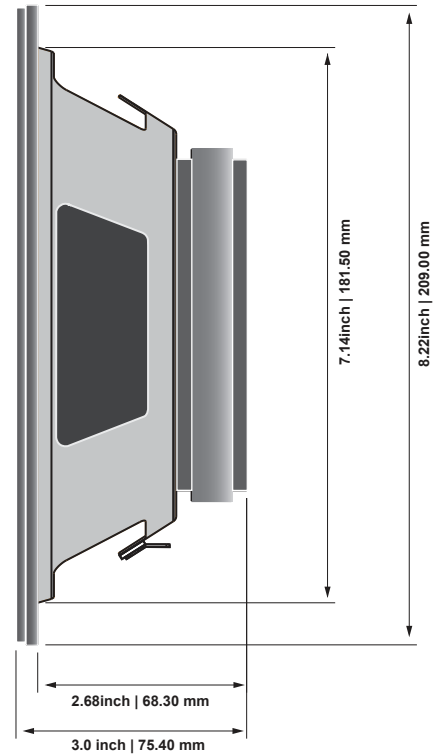
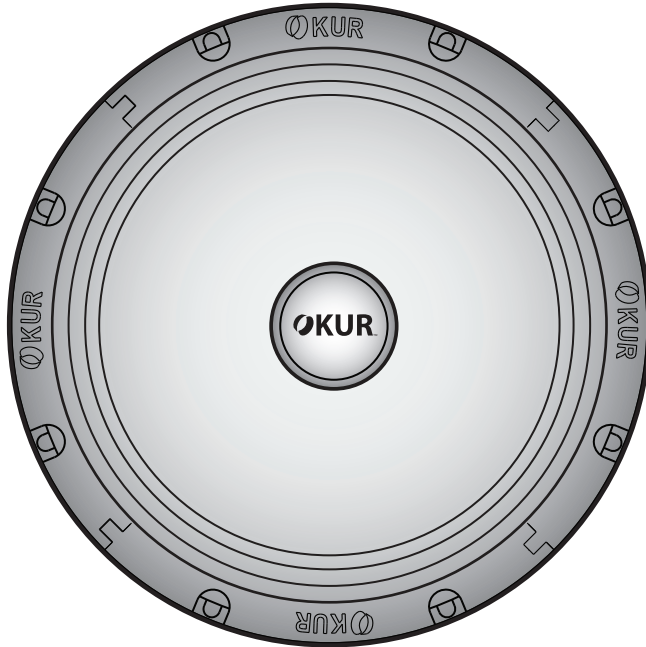


# OKUR™

## OMR8PR 8" MID-RANGE SPEAKERS



### FEATURES AND SPECS

Size:	8"
Impedance:	4Ω
Nominal Power:	75 Watts
Dynamic Power:	350 Watts
Resonance:	90 Hz
Sensitivity:	93.4 dB
Voice Coil Diameter:	1.5"
Sold As:	Pair

### DRIVER COMPOSITION

Voice Coil Wire:	CCAW
Magnet:	Ferrite
Basket:	Stamped Steel
Cone:	Paper
Cone Edge:	Cloth

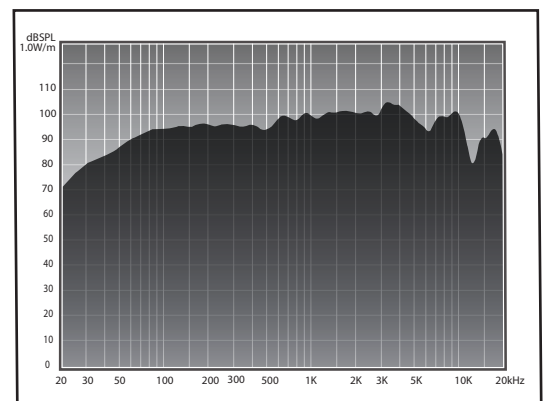
### T/S PARAMETERS

Resonant Frequency (fs)	90Hz
DC Resistance (RE)	3.2Ω
Coil Inductance (LE)	0.00mH
Mechanical Q (Qms)	5.55
Electromagnetic Q (QES)	0.75
Total Q (QTS)	0.66
Compliance Equivalent volume (VAS)	14.9L
Mechanical Compliance of Suspension (CMS)	0.22 mm/N
BL Product (BL)	5.9 N/A
Diaphragm Mass Inc. Airload (Mms)	33.5gr

### MOUNTING INFORMATION

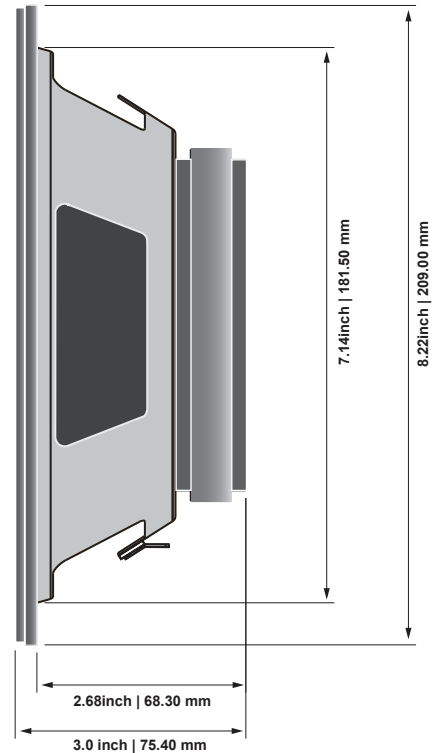
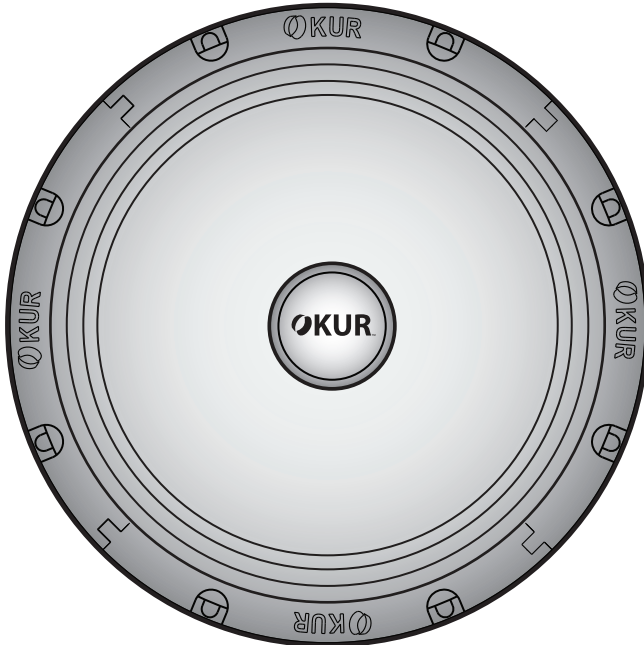
Overall Diameter:	8.22" / 209mm
Cutout diameter:	7.14" / 181.50mm
Mounting Depth:	2.68" / 68.30mm

OMR8PR Frequency Response



# OKUR™

## OMR8PR 8" MID-RANGE SPEAKERS



### □ CARACTERISTICAS y ESPECIFICACIONES

Tamaño:	8"
Impedancia:	4Ω
Poder Nominal:	75 Watts
Poder Dinámico:	350 Watts
Resonancia:	90 Hz
Sensibilidad:	93.4 dB
Diametro de la Bobina:	1.5"
Se Vende en Par	

### □ COMPOSICION DEL DRIVER

Cable de la Bobina:	CCAW
Magneto:	Ferrite
Canasta:	Stamped Steel
Cono:	Paper
Orilla del Cono:	Cloth

### □ PARAMETROS T/S

Frecuencia Resonante(fs)	90Hz
Resistencia CC (RE)	3.2Ω
Inductancia de la Bobina (LE)	0.00mH
Q Mecanico (Qms)	5.55
Q Electromagnetico(QES)	0.75
Total Q (QTS)	0.66
Volumen Equivalente de Cumplimiento (VAS)	14.9L
Cumplimiento Mecanico de Suspension(CMS)	0.22 mm/N
Producto BL (BL)	5.9 N/A
Masa del Diagrama Incluyendo Carga de Aire (Mms)	33.5gr

### □ INFORMACION DE MONTAJE

Diametro Exterior:	8.22" / 209mm
Diametro de Corte:	7.14" / 181.50mm
Profundidad de Montaje:	2.68" / 68.30mm

OMR8PR Frequency Response

