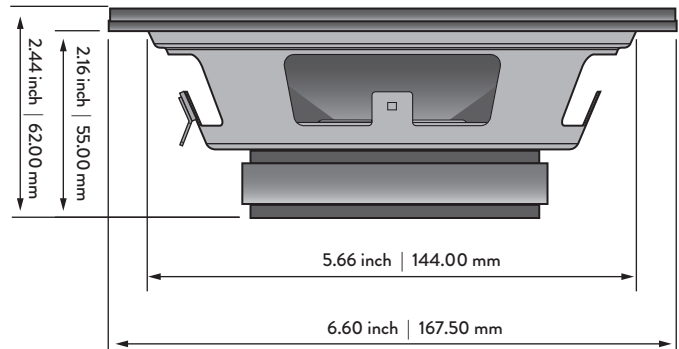
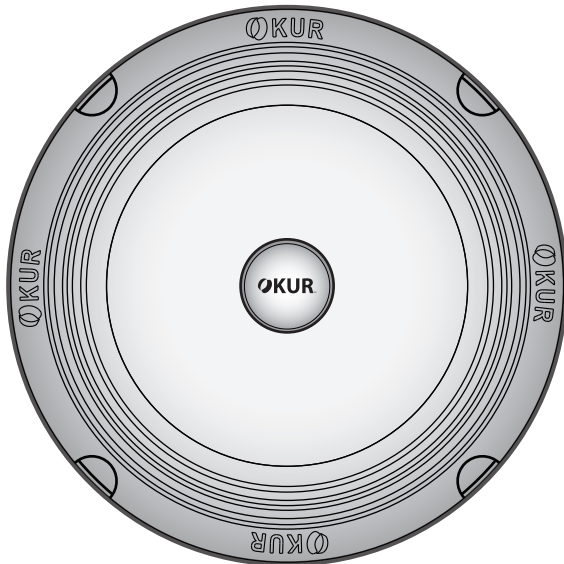


# OKUR™

## OMR6K-4MR 6.5" PROAUDIO MID-RANGE SPEAKER KIT



### FEATURES AND SPECS

Size: 6.5"  
Impedance: 4Ω  
Nominal Power: 125 Watts  
Dynamic Power: 500 Watts  
Resonance: 118.4 Hz  
Sensitivity: 96.3 dB  
Voice Coil Diameter: 1"  
Sold As: 2 Pairs

### DRIVER COMPOSITION

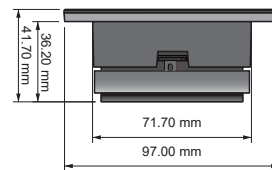
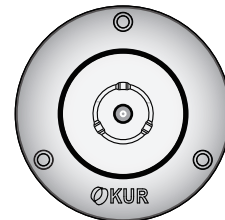
Voice Coil Wire: CCAW  
Magnet: Ferrite  
Basket: Stamped Steel  
Cone: Paper  
Cone Edge: Cloth

### T/S PARAMETERS

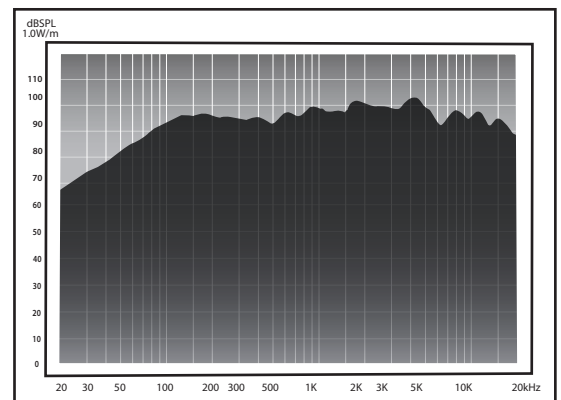
Resonant Frequency (fs): 118.4Hz  
DC Resistance (RE): 3Ω  
Coil Inductance (LE): 0.00mH  
Mechanical Q (Qms): 5.78  
Electromagnetic Q (QES): 1.27  
Total Q (QTS): 1.04  
Compliance Equivalent volume (VAS): 6.7  
Mechanical Compliance of Suspension (CMS): 0.23  
BL Product (BL): 3.8 N/A  
Diaphragm Mass Inc. Airload (Mms): 8.0gr

### MOUNTING INFORMATION

Overall Diameter: 6.59" / 167.5mm  
Cutout diameter: 5.66" / 144mm  
Mounting Depth: 2.16" / 55mm

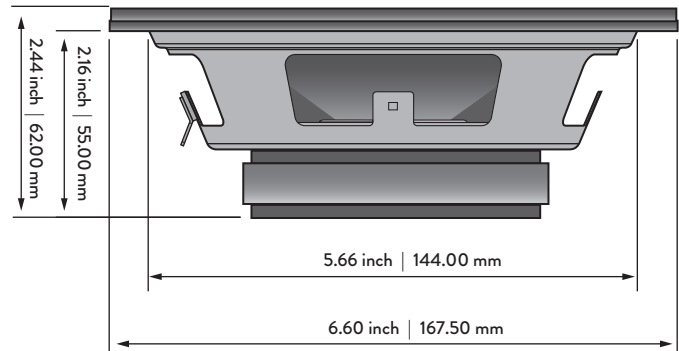


OMR6-K 4MR Frequency Response



# OKUR™

## OMR6K-4MR 6.5" PROAUDIO MID-RANGE SPEAKER KIT



### □ CARACTERISTICAS & ESPECIFICACIONES

Tamaño:	6.5"
Impedancia:	4Ω
Poder Nominal:	125 Watts
Poder Dinámico:	500 Watts
Resonancia:	118.4 Hz
Sensibilidad:	96.3 dB
Diametro de la Bobina:	1"
Se Vende en:	2 Pares

### □ COMPOSICION DEL DRIVER

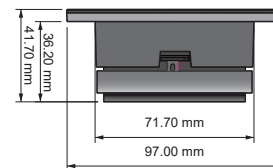
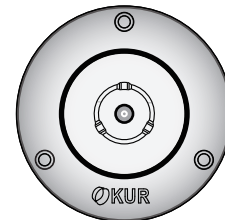
Cable de la Bobina:	CCAW
Magneto:	Ferrita
Canasta:	Acero Estampado
Cono:	Papel
Orilla del Cono:	Tela

### □ PARAMETROS T/S

Frecuencia Resonante(fs)	118.4Hz
Resistencia CC (RE)	3Ω
Inductancia de la Bobina (LE)	0.00mH
Q Mecanico (Qms)	5.78
Q Electromagnetico(QES)	1.27
Total Q (QTS)	1.04
Volumen Equivalente de Cumplimiento (VAS)	6.7
Cumplimiento Mecanico de Suspencion(CMS)	0.23
Producto BL (BL)	3.8 N/A
Masa del Diagrama Incluyendo Carga de Aire (Mms)	8.0gr

### □ INFORMACION DE MONTAJE

Diametro Exterior:	6.59" / 167.5mm
Diametro de Corte:	5.66" / 144mm
Profundidad de Montaje:	2.16" / 55mm



OMR6-K 4MR Frequency Response

